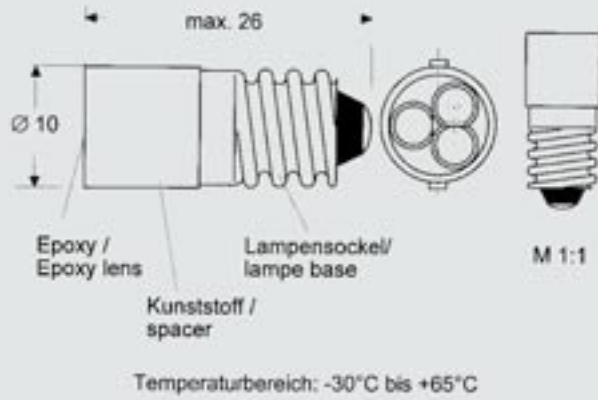


LED Cluster E10 L
3 x1 Chip AC/DC



| Spannung Voltage | Stromart Currenttype | Stromstärke Current | Farbe Colour | Wellenlänge Wavelength | Lichtstärke luminous intensity | LED-Chip | Bestellcode Ordering Code |
|---------------------|-------------------------|------------------------|-----------------|---------------------------|--------------------------------------|----------|------------------------------|
| V | | mA | | nm | mcd | | |
| 24 | AC/DC | 15 | Rot/Red | 630 | 330 | 3 | 113K 13 2415 ER |
| 24 | AC/DC | 15 | Gelb/Yellow | 587 | 360 | 3 | 113K 13 2415 EY |
| 24 | AC/DC | 15 | Grün/Green | 525 | 5000 | 3 | 113K 13 2415 EG |
| 24 | AC/DC | 15 | Blau/Blue | 470 | 2000 | 3 | 113K 13 2415 EB |
| 24 | AC/DC | 15 | Weiß/White | X=0,31 Y=0,32 | 3300 | 3 | 113K 13 2415 WS |
| 28 | AC/DC | 15 | Rot/Red | 630 | 330 | 3 | 113K 13 2815 ER |
| 28 | AC/DC | 15 | Gelb/Yellow | 587 | 360 | 3 | 113K 13 2815 EY |
| 28 | AC/DC | 15 | Grün/Green | 525 | 5000 | 3 | 113K 13 2815 EG |
| 28 | AC/DC | 15 | Blau/Blue | 470 | 2000 | 3 | 113K 13 2815 EB |
| 28 | AC/DC | 15 | Weiß/White | X=0,31 Y=0,32 | 3300 | 3 | 113K 13 2815 WS |
| 110-130 | AC/DC | 4 - 6 | Rot/Red | 630 | 90-130 | 3 | 113K 13 1306 ER |
| 110-130 | AC/DC | 4 - 6 | Gelb/Yellow | 587 | 100-150 | 3 | 113K 13 1306 EY |
| 110-130 | AC/DC | 4 - 6 | Grün/Green | 525 | 1400-2100 | 3 | 113K 13 1306 EG |
| 110-130 | AC/DC | 4 - 6 | Blau/Blue | 470 | 550-820 | 3 | 113K 13 1306 EB |
| 110-130 | AC/DC | 4 - 6 | Weiß/White | X=0,31 Y=0,32 | 900-1300 | 3 | 113K 13 1306 WS |
| 230 | AC/DC | 4 | Rot/Red | 630 | 90 | 3 | 113K 13 2304 ER |
| 230 | AC/DC | 4 | Gelb/Yellow | 587 | 100 | 3 | 113K 13 2304 EY |
| 230 | AC/DC | 4 | Grün/Green | 525 | 1400 | 3 | 113K 13 2304 EG |
| 230 | AC/DC | 4 | Blau/Blue | 470 | 550 | 3 | 113K 13 2304 EB |
| 230 | AC/DC | 4 | Weiß/White | X=0,31 Y=0,32 | 900 | 3 | 113K 13 2304 WS |

Weitere Spannungen auf Anfrage.
Further voltages on request.

Technische Änderungen vorbehalten.
Technical changes reserved.